

MONTELLO SWIVEL STOOL

Date: 06-18-09

Model #796-8022 (41744) Swivel Counter Stool

Model #796-8023 (41745) Swivel Barstool

Model #HL2310-1 (4163-826) Swivel Counter Stool

Model #HL2311-1 (4163-830) Swivel Barstool

Model #HL2312-1 (4163-827) Swivel Counter Stool

Model #HL2313-1 (4163-831) Swivel Barstool

PLEASE READ FIRST

Examine all packaging material for small parts that may have come loose during shipment. Periodical checks are recommended to insure that all components are in proper position, tight and free from damage. Keep this assembly instruction for future reference. Adult assembly required.

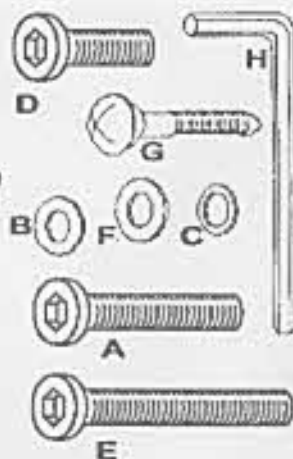
 Online Parts Request Form: www.hillsdalehouse.com/parts_request.html

HARDWARE LIST

- A (4) Medium Allen Bolts
- B (12) Small Metal Washers
- C (21) Spring Washers
- D (15) Small Allen Bolts
- E (6) Long Allen Bolts
- F (13) Large Metal Washers
- G (4) Wood Screws
- H (1) Allen Wrench

PARTS LIST

- J (1) Back Panel
- K (1) Seat Base
- L (2) Leg Panels
- M (1) Top Ring
- N (1) Bottom Ring
- P (1) Seat Cushion
- R (1) Support Ring


Tools Required: Allen Wrench (Included)
NOTE: HARDWARE AND PARTS SHOWN NOT ACTUAL SIZE.

STEP 1 ~ Begin assembly, by attaching Back Panel (J) to Seat Base (K), using 2 Long Allen Bolts (E), 2 Spring Washers (C) & 2 Large Metal Washers (F) from the inside of the seat base. Also, use 3 Small Allen Bolt (D), 3 Spring Washer (C) & 3 Large Metal Washer (F) in the back where each metal piece is attached to the metal tabs, per each side. Tighten all bolts.

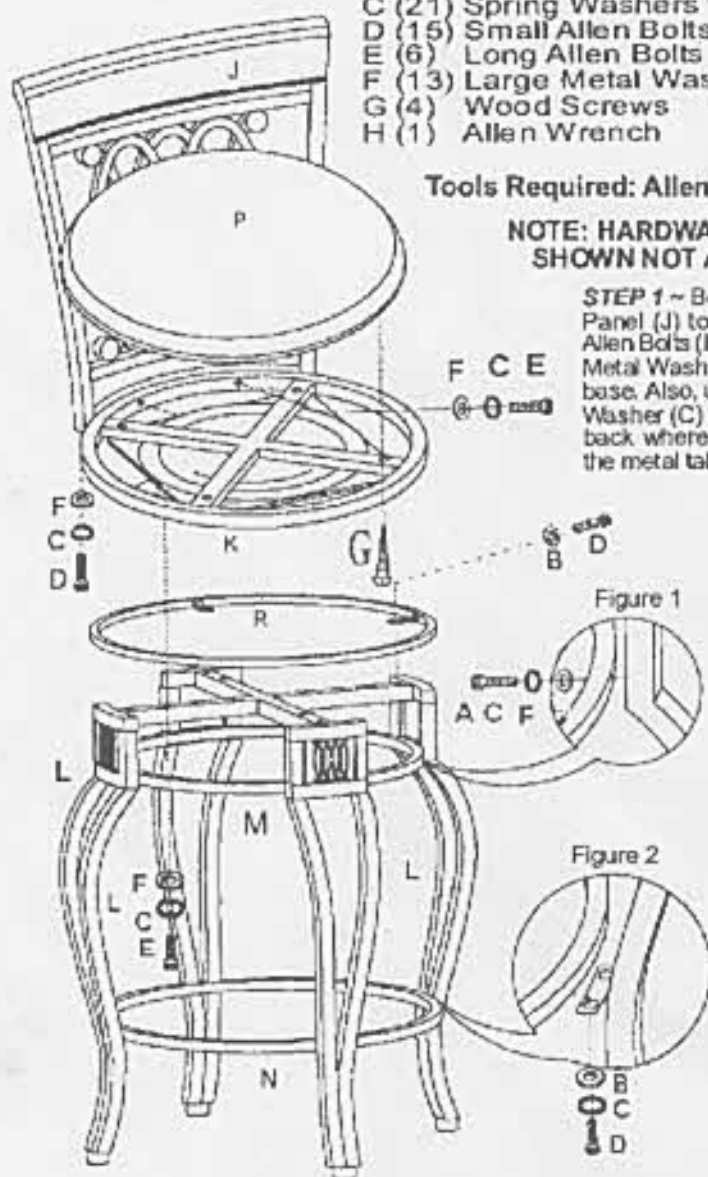
STEP 2 ~ Next, attach both Leg Panels (L) by crossing them between each other, and attach Top Ring (M) to inside of each panel using 1 Medium Allen Bolt (A), 1 Spring Washer (C) & 1 Large Metal Washer (F) per each leg. Only hand tighten bolts for this step. See Figure 1.

STEP 3 ~ Attach Support Ring (R) to both Leg Panels (L) using 4 Small Allen Bolts (D) & 4 Small Metal Washers (B) to hold in place. Screw in each bolt through tabs and into each leg panel. Make sure that tabs are flush with cross arms on leg panels. Only hand tighten bolts for this step.

STEP 4 ~ Attach Bottom Ring (N) to both Leg Panels (L) using 2 Small Allen Bolts (D), 2 Spring Washers (C) & 2 Small Metal Washers (B) per each leg. Tighten all bolts from steps 2 & 3 & 4. See Figure 2.

STEP 5 ~ Attach remaining stool pieces, the top section and the bottom section by attaching swivel piece connected to Seat Base (K) to both Leg Panels (L), using 4 Long Allen Bolts (E), 4 Spring Washers (C) & 4 Large Metal Washers (F) to hold in place. Tighten all bolts.

STEP 6 ~ Attach Seat Cushion (P) to Seat Base (K), using 4 Wood Screws (G) to hold in place. Tighten all screws, assembly is now complete.



CARE & MAINTENANCE

The touch of a soft cloth is all the maintenance the finish of your new stool will ever need. Never use harsh or abrasive cleaners for polishing. Periodic checks are recommended to make sure that all bolts, screws and nuts are securely tightened.